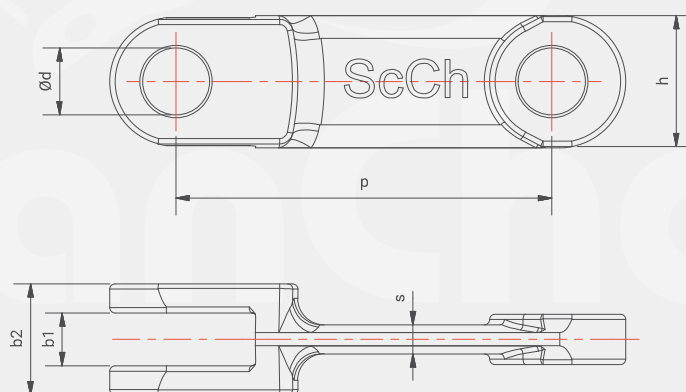


# Drop Forged chains

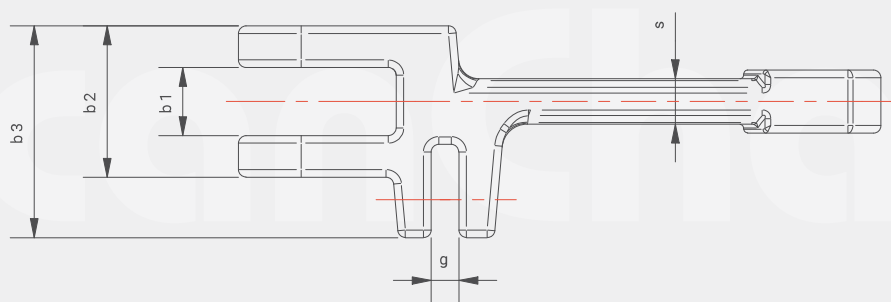
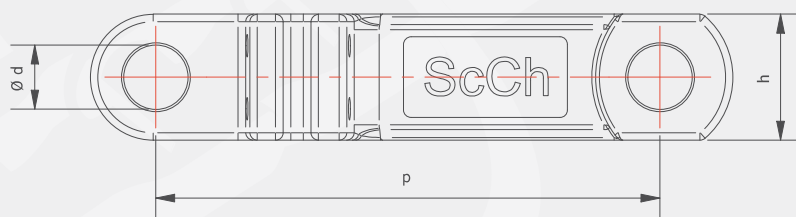


Chain No.	Pitch p [mm]	Inner width b1 [mm]	Bush d [mm]	Body thickness s [mm]	Link height h [mm]	Link head width b2 [mm]	Breaking loads 20MnCr5 [kN]
T101	101,6	10	14	6	36	24	110
T101 Heavy	101,6	14	14	*9	36	30	180
T142	142,0	20	25	11	50	42	290
T142 Heavy	142,0	30	25	15	50	62	440
T216**	216,0	28	35	20	72	64	585
T260**	260,0	33	*32	*20	75	70	840

\* Measurement deviations can occur.  
\*\* Product type not stocked. Delivery time can occur.

# Drop Forged chains

## Double Series



Chain No.	Pitch p [mm]	Inner width b1 [mm]	Bush d [mm]	Body thickness s [mm]	Link height h [mm]	Link head width b2 [mm]	b3 [mm]	g [mm]	Breaking loads 20MnCr5 [kN]
T142-2**	142,0	20	25	11	50	42	70	13	290
T142-2 Heavy**	142,0	30	25	15	50	62	87	13	440

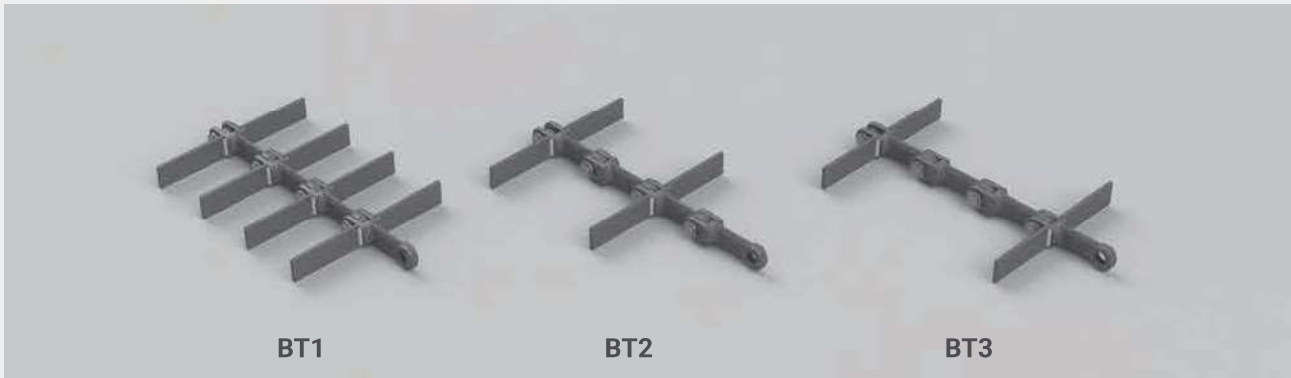
\*\* Product type not stocked. Delivery time can occur.

# Drop Forged chains

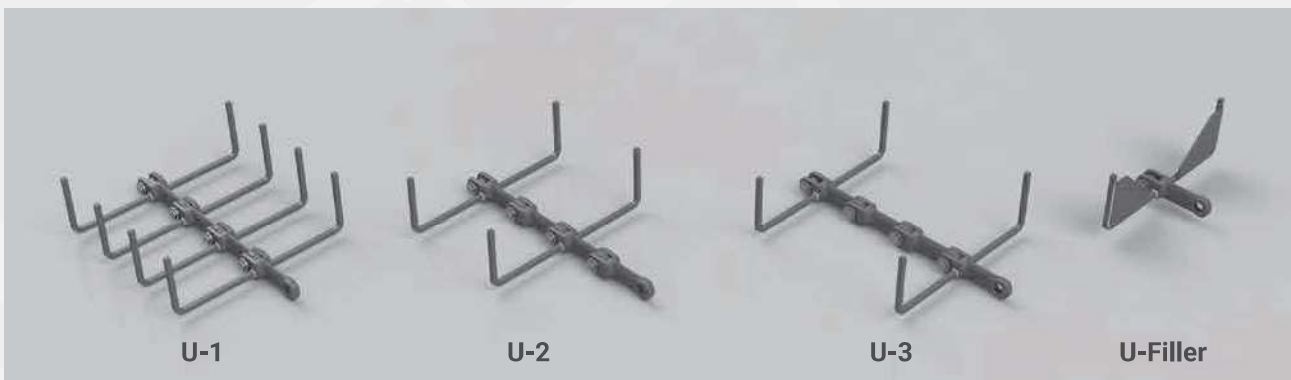
## Flight attachment options



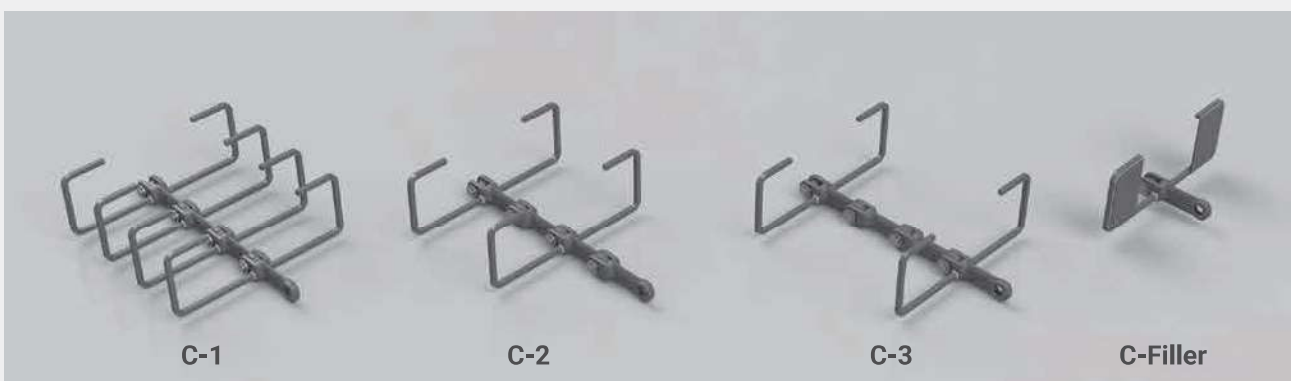
### Flat scrapers



### Square scrapers "U" shape



### Square scrapers "C" shape



# Drop Forged chains

## Pin styles

### **C/C**

Standard double circlip



### **H/C**

Headed pin with standard circlip



### **H/C+C**

Headed pin with collar and cotter

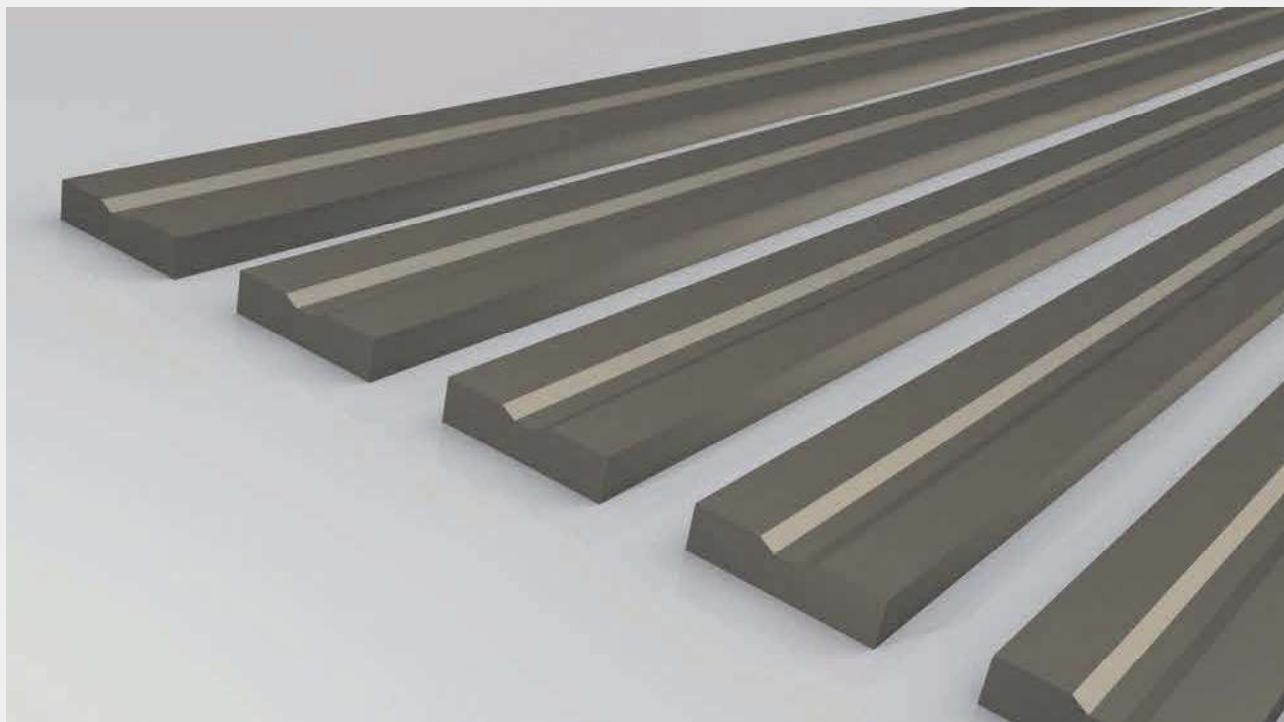


### **C+C/C+C**

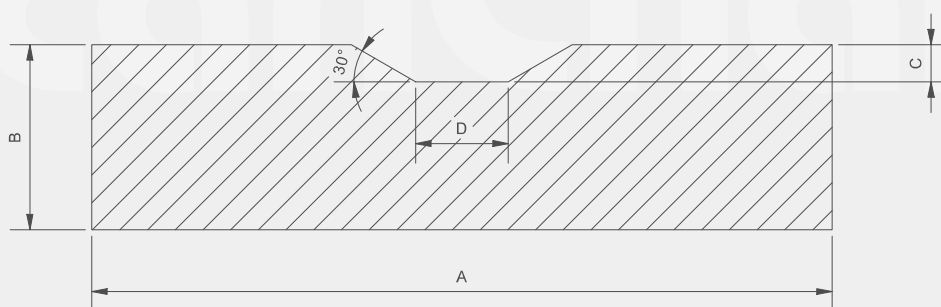
Double collar and cotter



# Manganese wear rails



Grooved manganese wear rails offer considerable advantages with regard to long chain and conveyor life. Wear rails are offered in lengths of 3 meters. Other sizes and lengths available upon request.



Product code	A [mm]	B [mm]	C [mm]	D [mm]
49/2510	25	10	2	5
49/4010	40	10	2	5
49/5010	50	10	2	5
49/6012	60	12	3	6
49/6012	60	20	3	6