

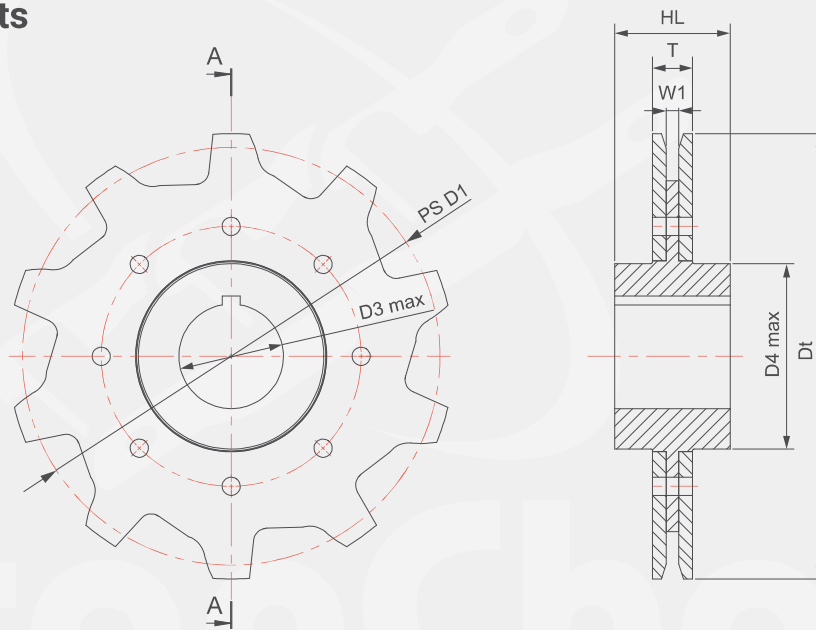
Sprockets

for drop forged chains

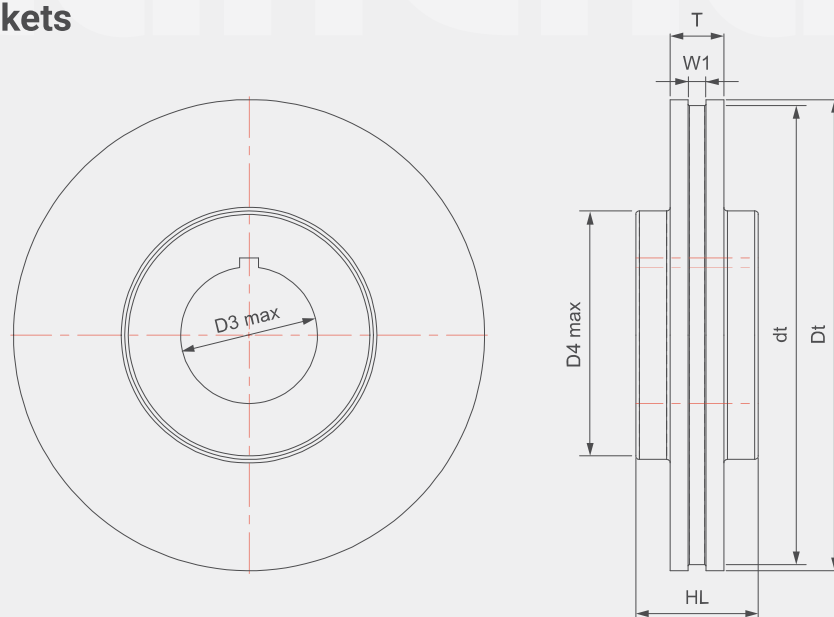


* Sprockets are configured as mono type. Split version only by request.

Drive sprockets



Return sprockets



ScanChain Chain name	Model	Z No. of teeth [pieces]	PS D1 Pitch circle dia [mm]	Dt Outside dia [mm]	D3 Max Standard Prebore [mm]	D4 Max Max outside hub dia [mm]	HL Total width [mm]	W1 Inner width [mm]	T Width of plate [mm]
TK SC T10160L	101,6 Light	6	203,20	216	*30	*80	90	10	34
TK SC T10160L	101,6 Light	8	265,49	277	*30	*120	90	10	34
TK SC T10160L	101,6 Light	10	328,78	340	*30	*160	110	10	34
TK SC T10160L	101,6 Light	12	392,55	404	*30	*180	115	10	34
TK SC T10160L	101,6 Light	14	456,58	468	*30	*200	140	10	34
TK SC T10160H	101,6 Heavy	6	203,20	216	*30	*80	90	12	36
TK SC T10160H	101,6 Heavy	8	265,49	277	*30	*120	90	12	36
TK SC T10160H	101,6 Heavy	10	328,78	340	*30	*160	110	12	36
TK SC T10160H	101,6 Heavy	12	392,55	404	*30	*180	115	12	36
TK SC T10160H	101,6 Heavy	14	456,58	468	*30	*200	140	12	36
TK SC T142L	142 Light	6	284,00	304	*40	*120	95	15	45
TK SC T142L	142 Light	7	327,31	344	*40	*150	100	15	45
TK SC T142L	142 Light	8	371,06	390	*40	*180	115	15	45
TK SC T142L	142 Light	9	415,18	435	*40	*220	140	15	45
TK SC T142L	142 Light	10	459,52	480	*40	*220	140	15	45
TK SC T142L	142 Light	11	504,02	524	*40	*290	240	15	45
TK SC T142L	142 Light	12	548,64	570	*40	*290	240	15	45
TK SC T142L	142 Light	13	593,37	614	*40	*350	300	15	45
TK SC T142L	142 Light	14	638,15	660	*40	*350	300	15	45
TK SC T142L	142 Light	15	682,87	702	*40	*350	300	15	45
TK SC T142L	142 Light	16	727,90	748	*40	*350	300	15	45
TK SC T142H	142 Heavy	6	284,00	304	*40	*120	95	20	60
TK SC T142H	142 Heavy	7	327,31	344	*40	*150	100	20	60
TK SC T142H	142 Heavy	8	371,06	390	*40	*180	115	20	60
TK SC T142H	142 Heavy	9	415,18	435	*40	*220	140	20	60
TK SC T142H	142 Heavy	10	459,52	480	*40	*220	140	20	60
TK SC T142H	142 Heavy	11	504,02	524	*40	*290	240	20	60
TK SC T142H	142 Heavy	12	548,64	570	*40	*290	240	20	60
TK SC T142H	142 Heavy	13	593,37	614	*40	*350	300	20	60
TK SC T142H	142 Heavy	14	638,15	660	*40	*350	300	20	60
TK SC T142H	142 Heavy	15	682,87	702	*40	*350	300	20	60
TK SC T142H	142 Heavy	16	727,90	748	*40	*350	300	20	60
TK SC T200H	**200 Heavy	8	522,40	522	*50	*280	230	25	65
TK SC T200H	**200 Heavy	10	647,40	647	*50	*350	300	25	65
TK SC T200H	**200 Heavy	12	772,80	773	*50	*370	300	25	65
TK SC T216H	**216 Heavy	6	432,80	459	*50	*170	105	25	65
TK SC T216H	**216 Heavy	7	498,75	525	*50	*170	105	25	65
TK SC T216H	**216 Heavy	8	565,48	592	*50	*280	230	25	65
TK SC T216H	**216 Heavy	9	632,71	659	*50	*350	300	25	65
TK SC T216H	**216 Heavy	10	700,29	726	*50	*350	300	25	65
TK SC T260H	**260 Heavy	8	679,41	709	*50	350	300	32	82
TK SC T260H	**260 Heavy	10	841,37	870	*50	*400	340	32	82
TK SC T260H	**260 Heavy	12	1 004,56	1 035	*50	*500	400	32	82