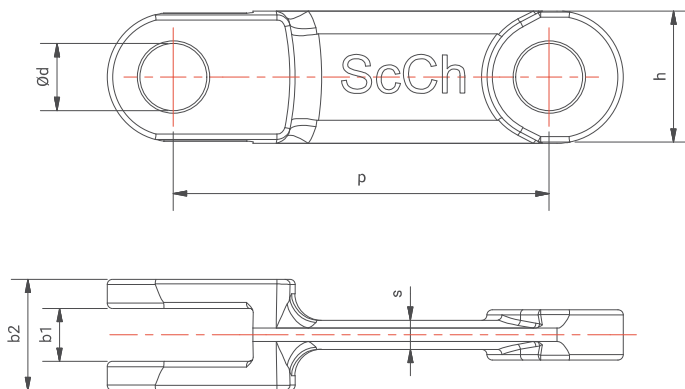


Drop Forged chains measuring table

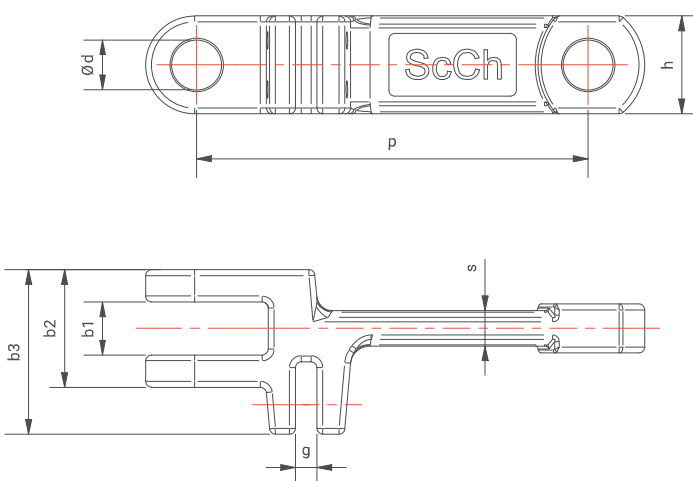
Chain type: **Standard Series** **Double Series**

Standard Series



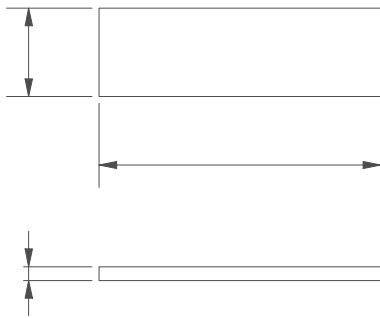
Pitch p [mm]	Inner width $b1$ [mm]	Link head width $b2$ [mm]
Bush d [mm]	Body thickness s [mm]	Link height h [mm]
$b3$ [mm]	g [mm]	

Double Series

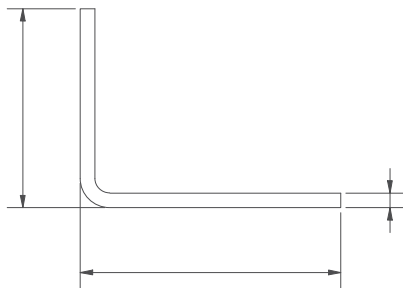




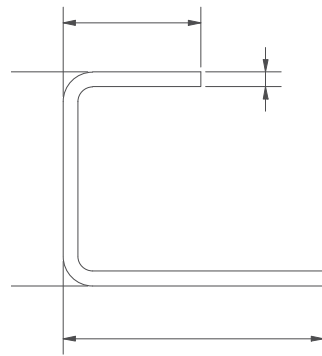
Flat scrapers



Square scrapers
"U" shape



Square scrapers
"C" shape



Main draft

