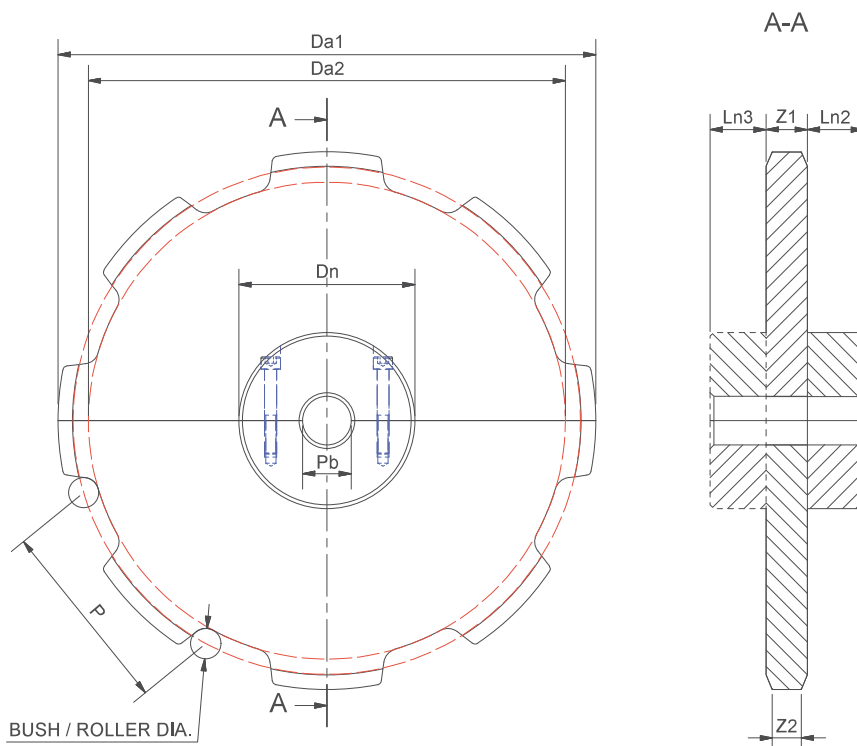


Sprockets for metric conveyor chains measuring table

Chain number:

Chain type: Bush Roller

Chain Pitch p [mm]	No. of teeth z [pieces]	Bush / Roller diameter [mm]
Outside $Da1$ [mm]	Tooth bottom diameter $Da2$ [mm]	Hub diameter Dn [mm]
Hub width $Ln2$ [mm]	Hub width $Ln3$ [mm]	Plate thickness $Z1$ [mm]
Tooth peak width $Z2$ [mm]	Pre bore Pb [mm]	Key width Kw [mm]
Key height Kh [mm]		



- Mono type Split version
- One sided hub Two sided hub

Keyway

