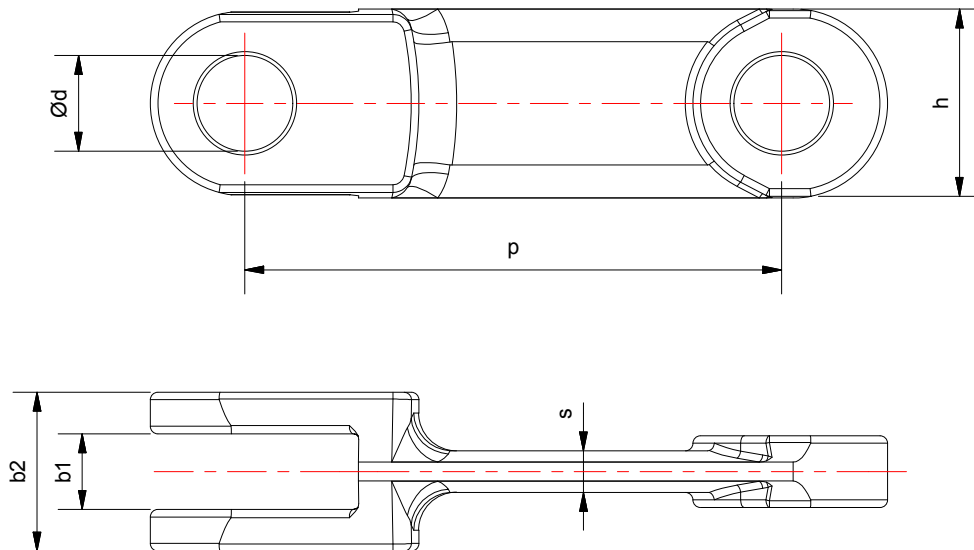


Drop Forged chains



Chain No.	Pitch p [mm]	Inner width b1 [mm]	Bush d [mm]	Body thickness s [mm]	Link height h [mm]	Link head width b2 [mm]	Breaking loads 20MnCr5 [kN]
T101	101,6	10	14	6	36	24	110
T101 Heavy	101,6	14	14	*9	36	30	180
T142	142,0	20	25	11	50	42	290
T142 Heavy	142,0	30	25	15	50	62	440
T216**	216,0	28	35	20	72	64	585
T260**	260,0	33	*32	*20	75	70	840